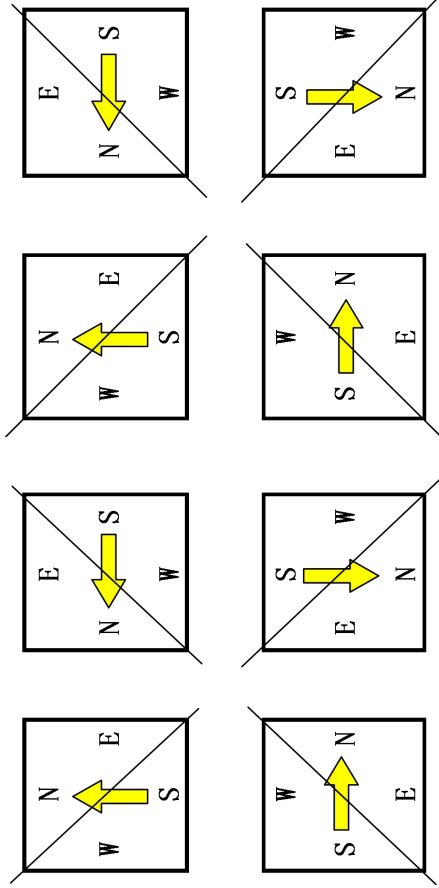


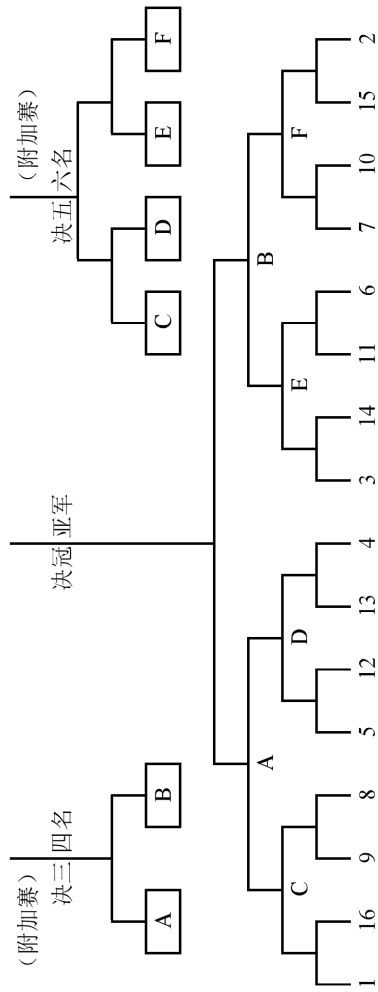
# 附录

附录一 同场牌赛桌方向示意图

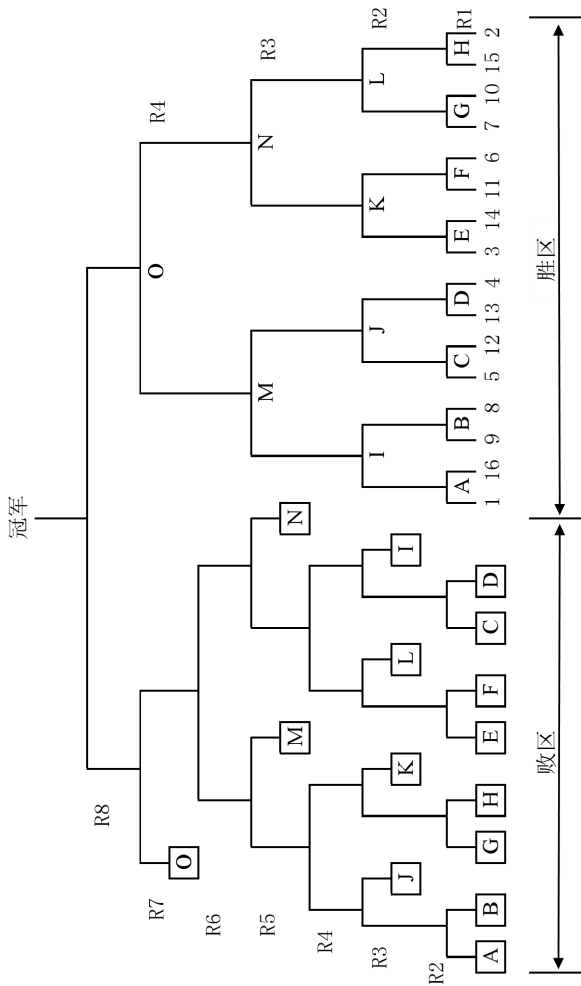


## 附录二 淘汰赛编排法

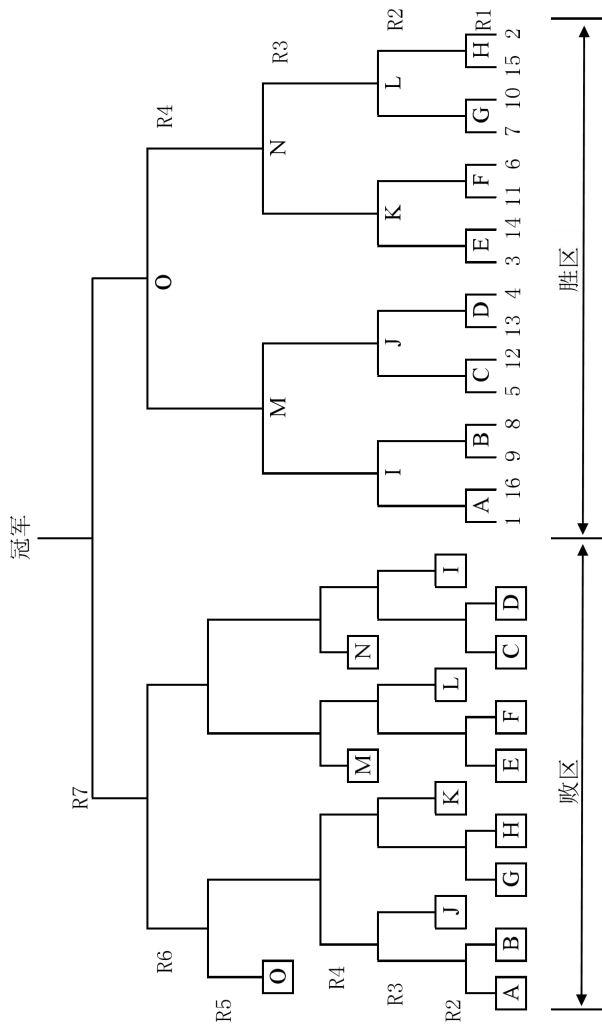
### 16队单败淘汰赛编排表



16队双败淘汰赛标准编排表



16队双败淘汰赛紧凑编排表



### 附录三 循环赛轮次表

#### 4 队轮次表

轮次	1 桌	2 桌
1	2-3	1-4
2	3-1	4-2
3	1-2	3-4

#### 6 队轮次表

轮次	1 桌	2 桌	3 桌
1	2-4	3-5	1-6
2	3-1	5-4	6-2
3	1-4	2-5	3-6
4	5-1	3-2	6-4
5	1-2	3-4	5-6

#### 8 队轮次表

轮次	1 桌	2 桌	3 桌	4 桌
1	4-5	2-7	3-6	1-8
2	7-1	6-4	5-3	8-2
3	1-6	2-5	4-7	3-8
4	5-1	6-2	7-3	8-4
5	1-4	2-3	6-7	5-8
6	3-1	4-2	7-5	8-6
7	1-2	3-4	5-6	7-8

10 队轮次表

轮次	1 桌	2 桌	3 桌	4 桌	5 桌
1	5-9	2-7	3-8	4-6	1-10
2	4-1	7-6	5-3	9-8	10-2
3	1-6	2-9	5-8	4-7	3-10
4	8-1	6-2	9-3	7-5	10-4
5	1-7	2-8	3-6	4-9	5-10
6	3-1	5-2	9-7	8-4	10-6
7	1-9	2-3	6-8	4-5	7-10
8	5-1	4-2	7-3	9-6	10-8
9	1-2	3-4	5-6	7-8	9-10

12 队轮次表

轮次	1 桌	2 桌	3 桌	4 桌	5 桌	6 桌
1	2-10	3-11	4-9	5-7	6-8	1-12
2	11-1	10-3	8-4	9-5	7-6	12-2
3	1-10	2-11	4-7	5-8	6-9	3-12
4	9-1	7-2	8-3	10-5	11-6	12-4
5	1-8	2-9	3-7	4-11	6-10	5-12
6	7-1	8-2	9-3	10-4	11-5	12-6
7	1-6	2-3	4-5	8-10	9-11	7-12
8	5-1	4-2	6-3	9-7	11-10	12-8
9	1-4	2-6	3-5	7-10	8-11	9-12
10	3-1	5-2	6-4	11-7	9-8	12-10
11	1-2	3-4	5-6	7-8	9-10	11-12

## 14 队轮次表

轮次	1桌	2桌	3桌	4桌	5桌	6桌	7桌
1	7-13	2-8	3-9	4-10	5-11	6-12	1-14
2	13-1	12-7	8-3	9-4	10-5	11-6	14-2
3	1-12	2-13	7-11	4-8	5-9	6-10	3-14
4	11-1	12-2	13-3	10-7	8-5	9-6	14-4
5	1-10	2-11	3-12	4-13	7-9	6-8	5-14
6	3-1	5-2	7-4	11-9	13-10	12-8	14-6
7	1-8	2-9	3-10	4-11	5-12	6-13	7-14
8	9-1	3-2	5-4	7-6	13-12	11-10	14-8
9	1-6	2-4	3-7	5-13	10-12	8-11	9-14
10	7-1	6-2	5-3	12-4	9-8	13-11	14-10
11	1-4	5-7	3-6	2-10	9-12	8-13	11-14
12	5-1	7-2	6-4	11-3	10-8	13-9	14-12
13	1-2	3-4	5-6	7-8	9-10	11-12	13-14

## 16 队轮次表

轮次	1 桌	2 桌	3 桌	4 桌	5 桌	6 桌	7 桌	8 桌
1	2-15	3-14	4-13	5-12	6-11	7-10	8-9	1-16
2	15-1	13-3	14-4	11-5	12-6	9-7	10-8	16-2
3	1-14	2-13	4-15	5-10	6-9	7-12	8-11	3-16
4	13-1	14-2	15-3	9-5	10-6	11-7	12-8	16-4
5	1-12	2-11	3-10	4-9	6-15	7-14	8-13	5-16
6	11-1	12-2	9-3	10-4	15-5	13-7	14-8	16-6
7	1-10	2-9	3-12	4-11	5-14	6-13	8-15	7-16
8	9-1	10-2	11-3	12-4	13-5	14-6	15-7	16-8
9	1-8	2-7	3-6	4-5	10-15	11-14	12-13	9-16
10	7-1	8-2	5-3	6-4	15-9	13-11	14-12	16-10
11	1-6	2-5	3-8	4-7	9-14	10-13	12-15	11-16
12	5-1	6-2	7-3	8-4	13-9	14-10	15-11	16-12
13	1-4	2-3	5-8	6-7	9-12	10-11	14-15	13-16
14	3-1	4-2	7-5	8-6	11-9	12-10	15-13	16-14
15	1-2	3-4	5-6	7-8	9-10	11-12	13-14	15-16

18 队轮次表

轮次	1桌	2桌	3桌	4桌	5桌	6桌	7桌	8桌	9桌
1	9-17	2-10	3-11	4-12	5-13	6-14	7-15	8-16	1-18
2	17-1	16-9	10-3	11-4	12-5	13-6	14-7	15-8	18-2
3	1-16	2-17	9-15	4-10	5-11	6-12	7-13	8-14	3-18
4	15-1	16-2	17-3	14-9	10-5	11-6	12-7	13-8	18-4
5	1-14	2-15	3-16	4-17	9-13	6-10	7-11	8-12	5-18
6	13-1	14-2	15-3	16-4	17-5	12-9	10-7	11-8	18-6
7	1-12	2-13	3-14	4-15	5-16	6-17	9-11	8-10	7-18
8	3-1	5-2	7-4	9-6	13-11	15-12	17-14	16-10	18-8
9	1-10	2-11	3-12	4-13	5-14	6-15	7-16	8-17	9-18
10	11-1	3-2	7-6	5-4	9-8	17-16	15-14	13-12	18-10
11	1-8	2-6	3-9	4-14	5-7	10-13	15-17	12-16	11-18
12	9-1	8-2	7-3	6-4	15-5	16-14	11-10	17-13	18-12
13	1-6	2-4	3-8	5-9	7-17	12-14	11-16	10-15	13-18
14	7-1	9-2	5-3	8-4	16-6	15-13	17-11	12-10	18-14
15	1-4	2-12	3-6	7-9	5-8	10-17	11-14	13-16	15-18
16	5-1	7-2	13-3	9-4	8-6	14-10	17-12	15-11	18-16
17	1-2	3-4	5-6	7-8	9-10	11-12	13-14	15-16	17-18

20 队轮次表

轮次	1桌	2桌	3桌	4桌	5桌	6桌	7桌	8桌	9桌	10桌
1	10-19	2-11	3-12	4-13	5-14	6-15	7-16	8-17	9-18	1-20
2	19-1	18-10	11-3	12-4	13-5	14-6	15-7	16-8	17-9	20-2
3	1-18	2-19	10-17	4-11	5-12	6-13	7-14	8-15	9-16	3-20
4	17-1	18-2	19-3	16-10	11-5	12-6	13-7	14-8	15-9	20-4
5	1-16	2-17	3-18	4-19	10-15	6-11	7-12	8-13	9-14	5-20
6	15-1	16-2	17-3	18-4	19-5	14-10	11-7	12-8	13-9	20-6
7	1-14	2-15	3-16	4-17	5-18	6-19	10-13	8-11	9-12	7-20
8	13-1	14-2	15-3	16-4	17-5	18-6	19-7	12-10	11-9	20-8
9	1-12	2-13	3-14	4-15	5-16	6-17	7-18	8-19	10-11	9-20
10	11-1	12-2	13-3	14-4	15-5	16-6	17-7	18-8	19-9	20-10
11	1-10	2-3	4-5	6-7	8-9	12-13	14-15	16-17	18-19	11-20
12	9-1	8-2	7-3	6-4	10-5	14-11	16-13	18-15	19-17	20-12
13	1-8	2-6	3-9	4-10	5-7	11-15	12-17	14-19	16-18	13-20
14	7-1	9-2	5-3	8-4	10-6	18-11	16-12	19-13	17-15	20-14
15	1-6	2-4	3-8	5-9	7-10	11-19	12-18	13-17	14-16	15-20
16	5-1	7-2	10-3	9-4	8-6	17-11	19-12	15-13	18-14	20-16
17	1-4	2-10	3-6	5-8	7-9	11-16	12-14	13-18	15-19	17-20
18	3-1	5-2	7-4	9-6	10-8	13-11	15-12	17-14	19-16	20-18
19	1-2	3-4	5-6	7-8	9-10	11-12	13-14	15-16	17-18	19-20



22 队轮次表

轮次	1桌	2桌	3桌	4桌	5桌	6桌	7桌	8桌	9桌	10桌	11桌
1	11-21	2-12	3-13	4-14	5-15	6-16	7-17	8-18	9-19	10-20	1-22
2	21-1	20-11	12-3	13-4	14-5	15-6	16-7	17-8	18-9	19-10	22-2
3	1-20	2-21	11-19	4-12	5-13	6-14	7-15	8-16	9-17	10-18	3-22
4	19-1	20-2	21-3	18-11	12-5	13-6	14-7	15-8	16-9	17-10	22-4
5	1-18	2-19	3-20	4-21	11-17	6-12	7-13	8-14	9-15	10-16	5-22
6	17-1	18-2	19-3	20-4	21-5	16-11	12-7	13-8	14-9	15-10	22-6
7	1-16	2-17	3-18	4-19	5-20	6-21	11-15	8-12	9-13	10-14	7-22
8	15-1	16-2	17-3	18-4	19-5	20-6	21-7	14-11	12-9	13-10	22-8
9	1-14	2-15	3-16	4-17	5-18	6-19	7-20	8-21	11-13	10-12	9-22
10	3-1	5-2	7-4	9-6	11-8	20-12	15-13	17-14	19-16	21-18	22-10
11	1-12	2-13	3-14	4-15	5-16	6-17	7-18	8-19	9-20	10-21	11-22
12	13-1	3-2	9-8	5-4	11-10	7-6	15-14	17-16	19-18	21-20	22-12
13	1-10	2-8	3-11	4-6	5-9	7-19	12-15	14-20	16-18	17-21	13-22
14	11-1	10-2	9-3	8-4	7-5	18-6	13-12	21-15	20-16	19-17	22-14
15	1-8	2-6	3-10	4-16	5-11	7-9	12-17	13-20	14-18	19-21	15-22
16	9-1	11-2	7-3	10-4	17-5	8-6	14-12	21-13	19-15	20-18	22-16
17	1-6	2-4	3-8	7-11	5-10	9-21	12-19	13-18	14-16	15-20	17-22
18	7-1	9-2	5-3	11-4	20-8	10-6	16-12	19-13	21-14	17-15	22-18
19	1-4	2-14	3-6	7-10	5-8	9-11	13-16	15-18	17-20	12-21	19-22
20	5-1	7-2	15-3	9-4	10-8	11-6	18-12	21-16	19-14	17-13	22-20
21	1-2	3-4	5-6	7-8	9-10	11-12	13-14	15-16	17-18	19-20	21-22

24 队轮次表

轮次	1桌	2桌	3桌	4桌	5桌	6桌	7桌	8桌	9桌	10桌	11桌	12桌
1	12-23	2-13	3-14	4-15	5-16	6-17	7-18	8-19	9-20	10-21	11-22	1-24
2	23-1	22-12	13-3	14-4	15-5	16-6	17-7	18-8	19-9	20-10	21-11	24-2
3	1-22	2-23	12-21	4-13	5-14	6-15	7-16	8-17	9-18	10-19	11-20	3-24
4	21-1	22-2	23-3	20-12	13-5	14-6	15-7	16-8	17-9	18-10	19-11	24-4
5	1-20	2-21	3-22	4-23	12-19	6-13	7-14	8-15	9-16	10-17	11-18	5-24
6	19-1	20-2	21-3	22-4	23-5	18-12	13-7	14-8	15-9	16-10	17-11	24-6
7	1-18	2-19	3-20	4-21	5-22	6-23	12-17	8-13	9-14	10-15	11-16	7-24
8	17-1	18-2	19-3	20-4	21-5	22-6	23-7	16-12	13-9	14-10	15-11	24-8
9	1-16	2-17	3-18	4-19	5-20	6-21	7-22	8-23	12-15	10-13	11-14	9-24
10	15-1	16-2	17-3	18-4	19-5	20-6	21-7	22-8	23-9	14-12	13-11	24-10
11	1-14	2-15	3-16	4-17	5-18	6-19	7-20	8-21	9-22	10-23	12-13	11-24
12	13-1	14-2	15-3	16-4	17-5	18-6	19-7	20-8	21-9	22-10	23-11	24-12
13	1-12	2-10	3-11	4-9	5-7	6-8	14-22	15-23	16-21	17-19	18-20	13-24
14	11-1	12-2	10-3	8-4	9-5	7-6	23-13	22-15	20-16	21-17	19-18	24-14
15	1-10	2-11	3-12	4-7	5-8	6-9	13-22	14-23	16-19	17-20	18-21	15-24
16	9-1	7-2	8-3	12-4	10-5	11-6	21-13	19-14	20-15	22-17	23-18	24-16
17	1-8	2-9	3-7	4-11	5-12	6-10	13-20	14-21	15-19	16-23	18-22	17-24
18	7-1	8-2	9-3	10-4	11-5	12-6	19-13	20-14	21-15	22-16	23-17	24-18
19	1-6	2-3	4-5	7-12	8-10	9-11	13-18	14-15	16-17	20-22	21-23	19-24
20	5-1	4-2	6-3	9-7	12-8	11-10	17-13	16-14	18-15	21-19	23-22	24-20
21	1-4	2-6	3-5	7-10	8-11	9-12	13-16	14-18	15-17	19-22	20-23	21-24
22	3-1	5-2	6-4	11-7	9-8	12-10	15-13	17-14	18-16	23-19	21-20	24-22
23	1-2	3-4	5-6	7-8	9-10	11-12	13-14	15-16	17-18	19-20	21-22	23-24

## 附录四 VP换算表

### 6 副牌 VP 换算表

IMP差	VP		IMP差	VP		IMP差	VP		IMP差	VP	
	胜方	负方		胜方	负方		胜方	负方		胜方	负方
0	10.00	10.00	10	14.25	5.75	20	17.12	2.88	30	19.06	0.94
1	10.50	9.50	11	14.59	5.41	21	17.35	2.65	31	19.22	0.78
2	10.99	9.01	12	14.92	5.08	22	17.58	2.42	32	19.37	0.63
3	11.46	8.54	13	15.24	4.76	23	17.79	2.21	33	19.51	0.49
4	11.90	8.10	14	15.54	4.46	24	17.99	2.01	34	19.65	0.35
5	12.33	7.67	15	15.83	4.17	25	18.19	1.81	35	19.78	0.22
6	12.75	7.25	16	16.11	3.89	26	18.38	1.62	36	19.91	0.09
7	13.15	6.85	17	16.38	3.62	27	18.56	1.44	37	20.00	0.00
8	13.53	6.47	18	16.64	3.36	28	18.73	1.27			
9	13.90	6.10	19	16.89	3.11	29	18.90	1.10			

### 8 副牌 VP 换算表

IMP差	VP		IMP差	VP		IMP差	VP		IMP差	VP	
	胜方	负方		胜方	负方		胜方	负方		胜方	负方
0	10.00	10.00	11	14.09	5.91	22	16.90	3.10	33	18.83	1.17
1	10.44	9.56	12	14.39	5.61	23	17.11	2.89	34	18.97	1.03
2	10.86	9.14	13	14.68	5.32	24	17.31	2.69	35	19.11	0.89
3	11.27	8.73	14	14.96	5.04	25	17.50	2.50	36	19.24	0.76
4	11.67	8.33	15	15.23	4.77	26	17.69	2.31	37	19.37	0.63
5	12.05	7.95	16	15.50	4.50	27	17.87	2.13	38	19.50	0.50
6	12.42	7.58	17	15.75	4.25	28	18.04	1.96	39	19.62	0.38
7	12.77	7.23	18	16.00	4.00	29	18.21	1.79	40	19.74	0.26
8	13.12	6.88	19	16.23	3.77	30	18.37	1.63	41	19.85	0.15
9	13.45	6.55	20	16.46	3.54	31	18.53	1.47	42	19.95	0.05
10	13.78	6.22	21	16.68	3.32	32	18.68	1.32	43	20.00	0.00

### 10 副牌 VP 换算表

IMP差	VP		IMP差	VP		IMP差	VP		IMP差	VP	
	胜方	负方		胜方	负方		胜方	负方		胜方	负方
0	10.00	10.00	13	14.28	5.72	26	17.16	2.84	39	19.10	0.90
1	10.39	9.61	14	14.54	5.46	27	17.34	2.66	40	19.22	0.78
2	10.77	9.23	15	14.80	5.20	28	17.51	2.49	41	19.33	0.67
3	11.14	8.86	16	15.05	4.95	29	17.68	2.32	42	19.44	0.56
4	11.50	8.50	17	15.29	4.71	30	17.84	2.16	43	19.55	0.45
5	11.85	8.15	18	15.52	4.48	31	18.00	2.00	44	19.66	0.34
6	12.18	7.82	19	15.75	4.25	32	18.15	1.85	45	19.76	0.24
7	12.51	7.49	20	15.97	4.03	33	18.30	1.70	46	19.86	0.14
8	12.83	7.17	21	16.18	3.82	34	18.44	1.56	47	19.96	0.04
9	13.14	6.86	22	16.39	3.61	35	18.58	1.42	48	20.00	0.00
10	13.43	6.57	23	16.59	3.41	36	18.71	1.29			
11	13.72	6.28	24	16.78	3.22	37	18.84	1.16			
12	14.00	6.00	25	16.97	3.03	38	18.97	1.03			

12 副牌 VP 换算表

IMP差	VP		IMP差	VP		IMP差	VP		IMP差	VP	
	胜方	负方		胜方	负方		胜方	负方		胜方	负方
0	10.00	10.00	14	14.22	5.78	28	17.08	2.92	42	19.02	0.98
1	10.36	9.64	15	14.46	5.54	29	17.24	2.76	43	19.13	0.87
2	10.71	9.29	16	14.70	5.30	30	17.40	2.60	44	19.24	0.76
3	11.05	8.95	17	14.93	5.07	31	17.56	2.44	45	19.34	0.66
4	11.38	8.62	18	15.15	4.85	32	17.71	2.29	46	19.44	0.56
5	11.70	8.30	19	15.37	4.63	33	17.86	2.14	47	19.54	0.46
6	12.01	7.99	20	15.58	4.42	34	18.00	2.00	48	19.64	0.36
7	12.31	7.69	21	15.79	4.21	35	18.14	1.86	49	19.74	0.26
8	12.61	7.39	22	15.99	4.01	36	18.28	1.72	50	19.83	0.17
9	12.90	7.10	23	16.18	3.82	37	18.41	1.59	51	19.92	0.08
10	13.18	6.82	24	16.37	3.63	38	18.54	1.46	52	20.00	0.00
11	13.45	6.55	25	16.55	3.45	39	18.66	1.34			
12	13.71	6.29	26	16.73	3.27	40	18.78	1.22			
13	13.97	6.03	27	16.91	3.09	41	18.90	1.10			

14 副牌 VP 换算表

IMP差	VP		IMP差	VP		IMP差	VP		IMP差	VP	
	胜方	负方		胜方	负方		胜方	负方		胜方	负方
0	10.00	10.00	15	14.19	5.81	30	17.04	2.96	45	18.98	1.02
1	10.33	9.67	16	14.42	5.58	31	17.19	2.81	46	19.09	0.91
2	10.66	9.34	17	14.64	5.36	32	17.34	2.66	47	19.18	0.82
3	10.97	9.03	18	14.85	5.15	33	17.49	2.51	48	19.28	0.72
4	11.28	8.72	19	15.06	4.94	34	17.63	2.37	49	19.38	0.62
5	11.58	8.42	20	15.26	4.74	35	17.77	2.23	50	19.47	0.53
6	11.87	8.13	21	15.46	4.54	36	17.91	2.09	51	19.56	0.44
7	12.16	7.84	22	15.66	4.34	37	18.04	1.96	52	19.65	0.35
8	12.44	7.56	23	15.85	4.15	38	18.17	1.83	53	19.74	0.26
9	12.71	7.29	24	16.03	3.97	39	18.29	1.71	54	19.83	0.17
10	12.97	7.03	25	16.21	3.79	40	18.41	1.59	55	19.91	0.09
11	13.23	6.77	26	16.38	3.62	41	18.53	1.47	56	19.99	0.01
12	13.48	6.52	27	16.55	3.45	42	18.65	1.35	57	20.00	0.00
13	13.72	6.28	28	16.72	3.28	43	18.76	1.24			
14	13.96	6.04	29	16.88	3.12	44	18.87	1.13			

16 副牌 VP 换算表

IMP差	VP		IMP差	VP		IMP差	VP		IMP差	VP	
	胜方	负方		胜方	负方		胜方	负方		胜方	负方
0	10.00	10.00	16	14.18	5.82	32	17.03	2.97	48	18.97	1.03
1	10.31	9.69	17	14.39	5.61	33	17.17	2.83	49	19.07	0.93
2	10.61	9.39	18	14.60	5.40	34	17.31	2.69	50	19.16	0.84
3	10.91	9.09	19	14.80	5.20	35	17.45	2.55	51	19.25	0.75
4	11.20	8.80	20	15.00	5.00	36	17.59	2.41	52	19.34	0.66
5	11.48	8.52	21	15.19	4.81	37	17.72	2.28	53	19.43	0.57
6	11.76	8.24	22	15.38	4.62	38	17.85	2.15	54	19.52	0.48
7	12.03	7.97	23	15.56	4.44	39	17.97	2.03	55	19.61	0.39
8	12.29	7.71	24	15.74	4.26	40	18.09	1.91	56	19.69	0.31
9	12.55	7.45	25	15.92	4.08	41	18.21	1.79	57	19.77	0.23
10	12.80	7.20	26	16.09	3.91	42	18.33	1.67	58	19.85	0.15
11	13.04	6.96	27	16.26	3.74	43	18.44	1.56	59	19.93	0.07
12	13.28	6.72	28	16.42	3.58	44	18.55	1.45	60	20.00	0.00
13	13.52	6.48	29	16.58	3.42	45	18.66	1.34			
14	13.75	6.25	30	16.73	3.27	46	18.77	1.23			
15	13.97	6.03	31	16.88	3.12	47	18.87	1.13			

20 副牌 VP 换算表

IMP差	VP		IMP差	VP		IMP差	VP		IMP差	VP	
	胜方	负方		胜方	负方		胜方	负方		胜方	负方
0	10.00	10.00	18	14.20	5.80	36	17.06	2.94	54	19.00	1.00
1	10.28	9.72	19	14.39	5.61	37	17.19	2.81	55	19.09	0.91
2	10.55	9.45	20	14.58	5.42	38	17.32	2.68	56	19.17	0.83
3	10.82	9.18	21	14.76	5.24	39	17.44	2.56	57	19.25	0.75
4	11.08	8.92	22	14.96	5.04	40	17.56	2.44	58	19.33	0.67
5	11.34	8.66	23	15.11	4.89	41	17.68	2.32	59	19.41	0.59
6	11.59	8.41	24	15.28	4.72	42	17.79	2.21	60	19.49	0.51
7	11.83	8.17	25	15.45	4.55	43	17.90	2.10	61	19.57	0.43
8	12.07	7.93	26	15.61	4.39	44	18.01	1.99	62	19.65	0.35
9	12.30	7.70	27	15.77	4.23	45	18.12	1.88	63	19.72	0.28
10	12.53	7.47	28	15.93	4.07	46	18.23	1.77	64	19.79	0.21
11	12.76	7.24	29	16.08	3.92	47	18.33	1.67	65	19.86	0.14
12	12.98	7.02	30	16.23	3.77	48	18.43	1.57	66	19.93	0.07
13	13.20	6.80	31	16.38	3.62	49	18.53	1.47	67	19.99	0.01
14	13.41	6.59	32	16.52	3.48	50	18.63	1.37	68	20.00	0.00
15	13.61	6.39	33	16.66	3.34	51	18.73	1.27			
16	13.81	6.19	34	16.80	3.20	52	18.82	1.18			
17	14.01	5.99	35	16.93	3.07	53	18.91	1.09			

24 副牌 VP 换算表

IMP差	VP		IMP差	VP		IMP差	VP		IMP差	VP	
	胜方	负方		胜方	负方		胜方	负方		胜方	负方
0	10.00	10.00	19	14.08	5.92	38	16.89	3.11	57	18.82	1.18
1	10.25	9.75	20	14.26	5.74	39	17.01	2.99	58	18.90	1.10
2	10.50	9.50	21	14.43	5.57	40	17.13	2.87	59	18.98	1.02
3	10.75	9.25	22	14.60	5.40	41	17.25	2.75	60	19.06	0.94
4	10.99	9.01	23	14.76	5.24	42	17.36	2.64	61	19.14	0.86
5	11.23	8.77	24	14.92	5.08	43	17.47	2.53	62	19.22	0.78
6	11.46	8.54	25	15.08	4.92	44	17.58	2.42	63	19.30	0.70
7	11.68	8.32	26	15.24	4.76	45	17.69	2.31	64	19.37	0.63
8	11.90	8.10	27	15.39	4.61	46	17.79	2.21	65	19.44	0.56
9	12.12	7.88	28	15.54	4.46	47	17.89	2.11	66	19.51	0.49
10	12.33	7.67	29	15.69	4.31	48	17.99	2.01	67	19.58	0.42
11	12.54	7.46	30	15.83	4.17	49	18.09	1.91	68	19.65	0.35
12	12.75	7.25	31	15.97	4.03	50	18.19	1.81	69	19.72	0.28
13	12.95	7.05	32	16.11	3.89	51	18.29	1.71	70	19.79	0.21
14	13.15	6.85	33	16.25	3.75	52	18.38	1.62	71	19.85	0.15
15	13.34	6.66	34	16.38	3.62	53	18.47	1.53	72	19.91	0.09
16	13.53	6.47	35	16.51	3.49	54	18.56	1.44	73	19.97	0.03
17	13.72	6.28	36	16.64	3.36	55	18.65	1.35	74	20.00	0.00
18	13.90	6.10	37	16.77	3.23	56	18.74	1.26			

6~24 副牌 整数 VP 换算表

牌副数	6	7	8	10	12	16	20	24
10:10	0	0	0	0	0~1	0~1	0~1	0~1
11:9	1~2	1~2	1~3	1~3	2~4	2~4	2~5	2~5
12:8	3~4	3~5	4~6	4~6	5~7	5~8	6~9	6~10
13:7	5~7	6~8	7~9	7~9	8~11	9~12	10~14	11~15
14:6	8~10	9~11	10~12	10~13	12~15	13~17	15~19	16~21
15:5	11~13	12~14	13~16	14~17	16~19	18~22	20~25	22~27
16:4	14~17	15~18	17~20	18~22	20~24	23~28	26~31	28~34
17:3	18~21	19~23	21~25	23~27	25~30	29~35	32~39	35~43
18:2	22~26	24~28	26~30	28~34	31~37	36~43	40~48	44~53
19:1	27~32	29~35	31~38	35~42	38~46	44~53	49~60	54~65
20:0	≥33	≥36	≥39	≥43	≥47	≥54	≥61	≥66